

# KHB(BKH)、KHM(MKH)系列高压球阀

KHB(BKH)、KHM(MKH) Series High Pressure Ball Valve

其它  
系列

## 型号说明 Model Code

**KHB -- M27×1.5 -- 1 1 1 2 -- 01 X -- \***

1                      2                      3 4 5 6                      7 8                      9



- 1、系列代号：KHB(BKH)系列、KHM(MKH)系列  
Series Code: KHB(BKH)Series, KHM(MKH)Series
- 2、连接代号：M\*\*、G\*\*、\*\*LR、\*\*SR、PT\*\*、NPT\*\*  
Joint Code: M\*\*, G\*\*, \*\*LR, \*\*SR, PT\*\*, NPT\*\*
- 3、阀体材料：1-钢  
Valve Body Material: 1-Steel
- 4、球体材料：1-钢、2-黄铜  
Ball Body Material: 1-Steel, 2-Brass
- 5、工作温度：1. -25~+100℃、2. -30~+170℃  
Operating Temperature: 1. -25~+100℃, 2. -30~+170℃
- 6、其他密封：2-丁腈橡胶、4-氟橡胶  
Other Airproof: 2-NBR, 4-FPM
- 7、手柄形式：01-铝质直柄、02-铝质曲柄、03-铸锌直柄、04-铸锌曲柄  
05-钢质直柄、06-钢质曲柄、09-不带手柄  
Handle Type: 01-Aluminium straight handle, 02-Aluminium crooked handle, 03-Casting zinc straight handle, 04-Casting zinc crooked handle, 05-Steel straight handle, 06-Steel crooked handle, 09-Without handle
- 8、设计序号：由生产商定  
Design Number: To be decided by the manufacturer
- 9、表面处理：空白-磷化、G-电镀黄锌  
Surface Disposal: Blank-Phosphoric polish, G-Electroplated yellow zinc

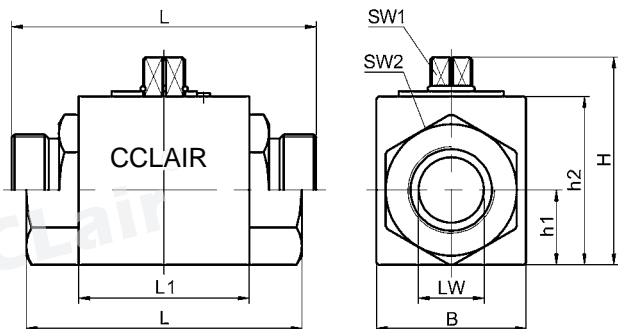
备注：适用介质/Applicable Medium: 液压油 Hydraulic Oil

## 图形符号 Symbol

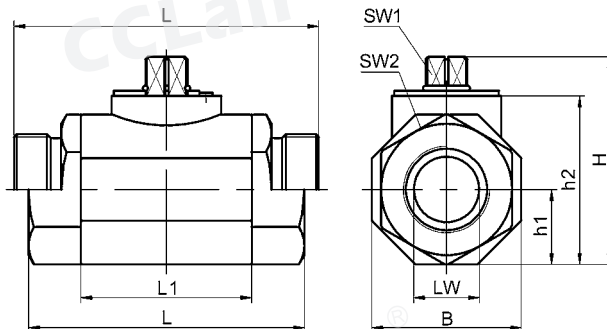


## 外形尺寸 Overall Dimension

### KHB(BKH)型



### KHM(MKH)型



# KHB(BKH)、KHM(MKH)系列高压球阀

KHB(BKH)、KHM(MKH) Series High Pressure Ball Valve

其它  
系列

## 外形尺寸 Overall Dimension

连接口略图 Connection	简略型号 Part No.	PN (bar)	DN	LW	RA	d1	i	L	L1	B	H	h1	h2	SW1	SW2	
<p>本接头符合JB984-77标准 This tie-in accord JB984-77 standard</p>	KHB-M16×1.5	500	06	06	11	M16×1.5	11	69	40	26	45	13.5	33	09	22	
	KHB-M22×1.5	500	10	08	16	M22×1.5	12	76	42	32	49	16	36	09	27	
	KHB-M27×1.5	500	10	10	20	M27×1.5	12	76	42	32	49	16	36	09	27	
	KHB-M30×1.5	400	16	15	24	M30×1.5	13	84	48	38	61	19	45	09	32	
	KHB-M36×2	315	20	20	30	M36×2	15	103	60	48	70	25	55	12	41	
	KHB-M42×2	315	25	25	35	M42×2	18	116	65	57	79	28.5	64	12	50	
	KHB-M52×2	315	32	30	40	M52×2	20	149	84	75	101	37.5	84	14	60	
KHB-M60×2	315	40	38	45	M60×2	22	174	91	85	112	42.5	95	14	70		
	KHB-G1/8	500	06	06	/	G1/8	14	69	40	26	45	13.5	33	09	22	
	KHB-G1/4	500	06	06	/	G1/4	14	69	40	26	45	13.5	33	09	22	
	KHB-G3/8	500	10	10	/	G3/8	14	72	42	32	49	16	36	09	27	
	KHB-G1/2	500	13	12	/	G1/2	14	83	47	35	49	18	38	09	30	
	KHB-G1/2	400	16	15	/	G1/2	16	83	48	38	61	19	45	09	32	
	KHB-G3/4	315	20	20	/	G3/4	18	95	60	48	70	25	55	12	41	
	KHB-G1	315	25	25	/	G1	21	113	65	57	79	28.5	64	12	50	
	KHB-G1 <sup>1</sup> / <sub>4</sub>	315	32	32	/	G1 <sup>1</sup> / <sub>4</sub>	22	110	84	75	101	37.5	84	14	60	
	KHB-G1 <sup>1</sup> / <sub>2</sub>	315	40	38	/	G1 <sup>1</sup> / <sub>2</sub>	24	130	91	85	112	42.5	95	14	70	
	KHB-G2	315	50	48	/	G2	26	140	100	104	131	52	112.5	14	90	
	KHB-NPT1/8	500	06	06	/	NPT1/8	11	69	40	26	45	13.5	33	09	22	
	KHB-NPT1/4	500	06	06	/	NPT1/4	11	69	40	26	45	13.5	33	09	22	
	KHB-NPT3/8	500	10	10	/	NPT3/8	11	72	42	32	49	16	36	09	27	
	KHB-NPT1/2	500	13	12	/	NPT1/2	14	83	47	35	49	18	38	09	30	
	KHB-NPT1/2	400	16	15	/	NPT1/2	14	83	48	38	61	19	45	09	32	
	KHB-NPT3/4	315	20	20	/	NPT3/4	15	95	60	48	70	25	55	12	41	
	KHB-NPT1	315	25	25	/	NPT1	17	113	65	57	79	28.5	64	12	50	
	KHB-NPT1 <sup>1</sup> / <sub>4</sub>	315	32	30	/	NPT1 <sup>1</sup> / <sub>4</sub>	18	110	84	75	101	37.5	84	14	60	
	KHB-NPT1 <sup>1</sup> / <sub>2</sub>	315	40	38	/	NPT1 <sup>1</sup> / <sub>2</sub>	18	130	91	85	112	42.5	95	14	70	
	KHB-NPT2	315	50	48	/	NPT2	18	140	100	104	131	52	112.5	14	90	
	KHB-06LR	500	06	04	06	M12×1.5	10	67	40	26	45	13.5	33	09	22	
	KHB-08LR	500	06	06	08	M14×1.5	10	67	40	26	45	13.5	33	09	22	
	KHB-10LR	500	08	08	10	M16×1.5	11	74	42	32	49	16	36	09	27	
	KHB-12LR	500	10	10	12	M18×1.5	11	74	42	32	49	16	36	09	27	
	KHB-15LR	500	13	12	15	M22×1.5	12.5	82	47	35	53	18	38	09	30	
	KHB-15LR	400	12	12	15	M22×1.5	12	82	48	38	61	19	45	09	32	
	KHB-18LR	500	13	12	18	M26×1.5	12.5	82	47	35	53	18	38	09	30	
	KHB-18LR	400	16	15	18	M26×1.5	12	82	48	38	61	19	45	09	32	
	KHB-22LR	315	20	19	22	M30×2	14	101	60	48	70	25	55	12	41	
	KHB-28LR	315	25	25	28	M36×2	14	108	65	57	79	28.5	64	12	50	
	KHB-35LR	315	32	30	35	M45×2	16	141	84	75	101	37.5	84	14	60	
	KHB-42LR	315	40	36	42	M52×2	16	162	91	85	112	42.5	95	14	70	
		KHB-08SR	500	06	05	08	M16×1.5	12	73	40	26	45	13.5	33	09	22
		KHB-10SR	500	06	06	10	M18×1.5	12	73	40	26	45	13.5	33	09	22
		KHB-12SR	500	08	08	12	M20×1.5	12	76	42	32	49	16	36	09	27
		KHB-14SR	500	10	10	14	M22×1.5	14	80	42	32	49	16	36	09	27
KHB-16SR		500	13	12	16	M24×1.5	14	86	47	35	53	18	38	09	30	
KHB-16SR		400	12	12	16	M24×1.5	14	86	48	38	61	19	45	09	32	
KHB-20SR		500	13	13	20	M30×2	16	90	47	35	53	18	38	09	30	
KHB-20SR		400	16	15	20	M30×2	16	90	48	38	61	19	45	09	32	
KHB-25SR		315	20	20	25	M36×2	18	109	60	48	70	25	55	12	41	
KHB-30SR		315	25	25	30	M42×2	20	120	65	57	79	28.5	64	12	50	
KHB-38SR	315	32	30	38	M52×2	22	153	84	75	101	37.5	84	14	60		