

KHB3K(BK3)系列二位三通球阀

KHB3K(BK3) Two-position Three-way High Pressure Ball Valve

其它
系列

型号说明 Model Code

KHB3K -- G1/2 -- * -- 1 1 1 2 -- 01 X -- *

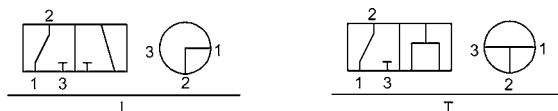
1 2 3 4 5 6 7 8 9 10



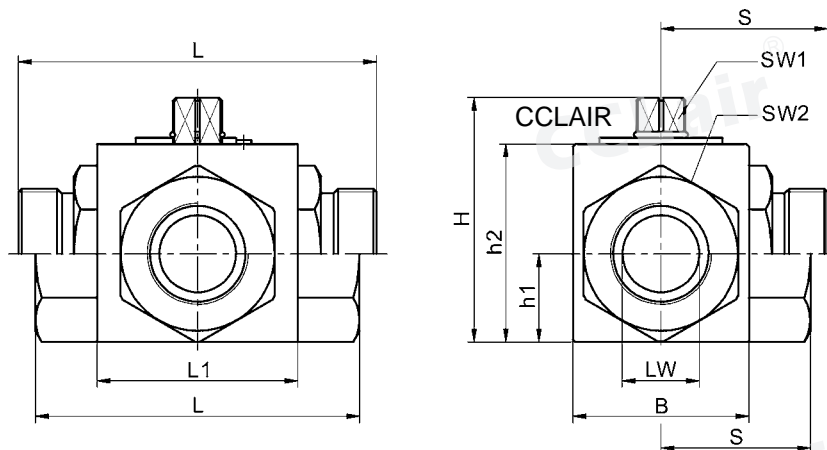
- 1、系列代号：KHB3K(BK3)系列二位三通球阀
Series Code: KHB3K(BK3)Series Two-position Three-way Ball Valve
- 2、连接代号：G**、**LR、**SR、PT**、NPT**
Joint Code:G**,**LR,**SR,PT**,NPT**
- 3、球阀机能：L、T
Ball Valve Enginery: L, T
- 4、阀体材料：1-钢
Valve Body Material: 1-Steel
- 5、球体材料：1-钢、2-黄铜
Ball Body Material: 1-Steel,2-Brass
- 6、工作温度：1. -25~+100℃、2. -30~+170℃
Operating Temperature: 1. -25~+100 ℃, 2. -30~+170 ℃
- 7、其他密封：2-丁晴橡胶、4-氟橡胶
Other Airproof: 2-NBR, 4-FPM
- 8、手柄形式：01-铝质直柄、02-铝质曲柄、03-铸锌直柄、04-铸锌曲柄
05-钢质直柄、06-钢质曲柄、09-不带手柄
Handle Type: 01-Aluminium straight handle, 02-Aluminium crooked handle, 03-Casting zinc straight handle, 04-Casting zinc crooked handle, 05-Steel straight handle, 06-Steel crooked handle, 09-Without handle
- 9、设计序号：由生产商定
Design Number:To be decided by the manufacturer
- 10、表面处理：空白-磷化、G-电镀黄锌
Surface Disposal: Blank-Phosphoric polish, G-Electroplated yellow zinc

备注：适用介质/**Applicable Medium**: 液压油 Hydraulic Oil

图形符号 Symbol



外形尺寸 Overall Dimension



KHB3K(BK3)系列二位三通球阀

KHB3K(BK3) Two-position Three-way High Pressure Ball Valve

其它
系列

外形尺寸 Overall Dimension

连接口略图 Connection	简略型号 Part No.	PN (bar)	DN	LW	RA	d1	i	L	L1	B	H	h1	h2	SW1	SW2	S	
	KHB3K-M16×1.5	500	06	06	11	M16×1.5	11	69	40	26	45	13.5	33	09	22	27.5	
	KHB3K-M22×1.5	500	08	08	16	M22×1.5	12	76	42	32	49	16	36	09	27	33	
	KHB3K-M27×1.5	500	10	10	20	M27×1.5	12	76	42	32	49	16	36	09	27	33	
	KHB3K-M30×1.5	400	16	15	24	M30×1.5	13	84	48	38	61	19	45	09	32	37	
	KHB3K-M36×2	315	20	20	30	M36×2	15	103	60	48	70	25	55	12	41	45.5	
	KHB3K-M42×2	315	25	25	35	M42×2	18	116	65	57	79	28.5	64	12	50	54	
	KHB3K-M52×2	315	32	30	40	M52×2	20	149	84	75	101	37.5	84	14	60	62.5	
	KHB3K-M60×2	315	40	38	45	M60×2	22	174	91	85	112	42.5	95	14	70	84	
		KHB3K-G1/8	500	06	06	/	G1/8	14	69	40	26	45	13.5	33	09	22	34.5
		KHB3K-G1/4	500	06	06	/	G1/4	14	69	40	26	45	13.5	33	09	22	34.5
KHB3K-G3/8		500	10	10	/	G3/8	14	72	42	32	49	16	36	09	27	36	
KHB3K-G1/2		400	13	12	/	G1/2	14	83	47	35	49	18	38	09	30	40	
KHB3K-G1/2		400	16	15	/	G1/2	16	83	48	38	61	19	45	09	32	42	
KHB3K-G3/4		315	20	20	/	G3/4	18	95	60	48	70	25	55	12	41	49	
KHB3K-G1		315	25	25	/	G1	21	113	65	57	79	28.5	64	12	50	56.5	
KHB3K-G1 1/4		315	32	30	/	G1 1/4	22	110	84	75	101	37.5	84	14	60	62.5	
KHB3K-G1 1/2		315	40	38	/	G1 1/2	24	130	91	85	112	42.5	95	14	70	61	
KHB3K-G2		315	50	48	/	G2	26	140	100	104	131	52	112.5	14	90	66	
	KHB3K-NPT1/8	500	06	06	/	NPT1/8	11	69	40	26	45	13.5	33	09	22	34.5	
	KHB3K-NPT1/4	500	06	06	/	NPT1/4	11	69	40	26	45	13.5	33	09	22	34.5	
	KHB3K-NPT3/8	500	10	10	/	NPT3/8	11	72	42	32	49	16	36	09	27	36	
	KHB3K-NPT1/2	400	13	12	/	NPT1/2	14	83	47	35	49	18	38	09	30	40	
	KHB3K-NPT1/2	400	16	15	/	NPT1/2	14	83	48	38	61	19	45	09	32	42	
	KHB3K-NPT3/4	315	20	20	/	NPT3/4	15	95	60	48	70	25	55	12	41	49	
	KHB3K-NPT1	315	25	25	/	NPT1	17	113	65	57	79	28.5	64	12	50	56.5	
	KHB3K-NPT1 1/4	315	32	30	/	NPT1 1/4	18	110	84	75	101	37.5	84	14	60	66	
	KHB3K-NPT1 1/2	315	40	38	/	NPT1 1/2	18	130	91	85	112	42.5	95	14	70	61	
	KHB3K-NPT2	315	50	48	/	NPT2	18	140	100	104	131	52	112.5	14	90	62.5	
	KHB3K-06LR	500	06	04	06	M12×1.5	10	67	40	26	45	13.5	33	09	22	33.5	
	KHB3K-08LR	500	06	06	08	M14×1.5	10	67	40	26	45	13.5	33	09	22	33.5	
	KHB3K-10LR	500	08	08	10	M16×1.5	11	74	42	32	49	16	36	09	27	36	
	KHB3K-12LR	500	10	10	12	M18×1.5	11	74	42	32	49	16	36	09	27	36	
	KHB3K-15LR	400	13	12	15	M22×1.5	12.5	82	47	35	53	18	38	09	30	40	
	KHB3K-15LR	400	12	12	15	M22×1.5	12	82	48	38	61	19	45	09	32	40	
	KHB3K-18LR	400	13	12	18	M26×1.5	12.5	82	47	35	53	18	38	09	30	42	
	KHB3K-18LR	400	16	15	18	M26×1.5	12	82	48	38	61	19	45	09	32	42	
	KHB3K-22LR	315	20	19	22	M30×2	14	101	60	48	70	25	55	12	41	49	
	KHB3K-28LR	315	25	25	28	M36×2	14	108	65	57	79	28.5	64	12	50	54	
KHB3K-35LR	315	32	30	35	M45×2	16	141	84	75	101	37.5	84	14	60	66		
KHB3K-42LR	315	40	36	42	M52×2	16	162	91	85	112	42.5	95	14	70	78		
	KHB3K-08SR	500	06	05	08	M16×1.5	12	73	40	26	45	13.5	33	09	22	34.5	
	KHB3K-10SR	500	06	06	10	M18×1.5	12	73	40	26	45	13.5	33	09	22	34.5	
	KHB3K-12SR	500	08	08	12	M20×1.5	12	76	42	32	49	16	36	09	27	36	
	KHB3K-14SR	500	10	10	14	M22×1.5	14	80	42	32	49	16	36	09	27	36	
	KHB3K-16SR	400	13	12	16	M24×1.5	14	86	47	35	53	18	38	09	30	44	
	KHB3K-16SR	400	12	13	16	M24×1.5	14	86	48	38	61	19	45	09	32	37	
	KHB3K-20SR	400	13	12	20	M30×2	16	90	47	35	53	18	38	09	30	44	
	KHB3K-20SR	400	16	15	20	M30×2	16	90	48	38	61	19	45	09	32	37	
	KHB3K-25SR	315	20	20	25	M36×2	18	109	60	48	70	25	55	12	41	49	
	KHB3K-30SR	315	25	25	30	M42×2	20	120	65	57	79	28.5	64	12	50	60	
KHB3K-38SR	315	32	30	38	M52×2	22	153	84	75	101	37.5	84	14	60	76.5		